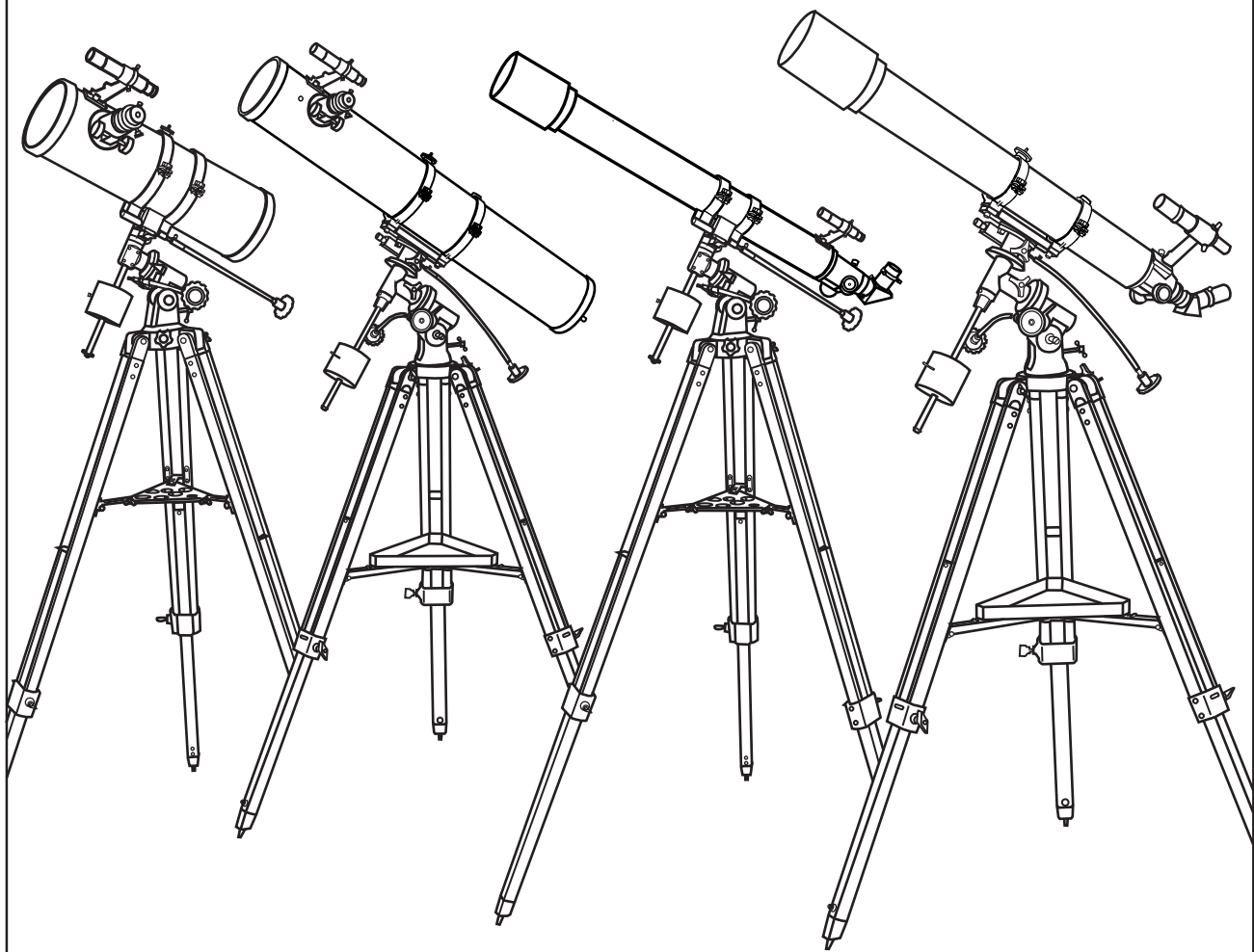
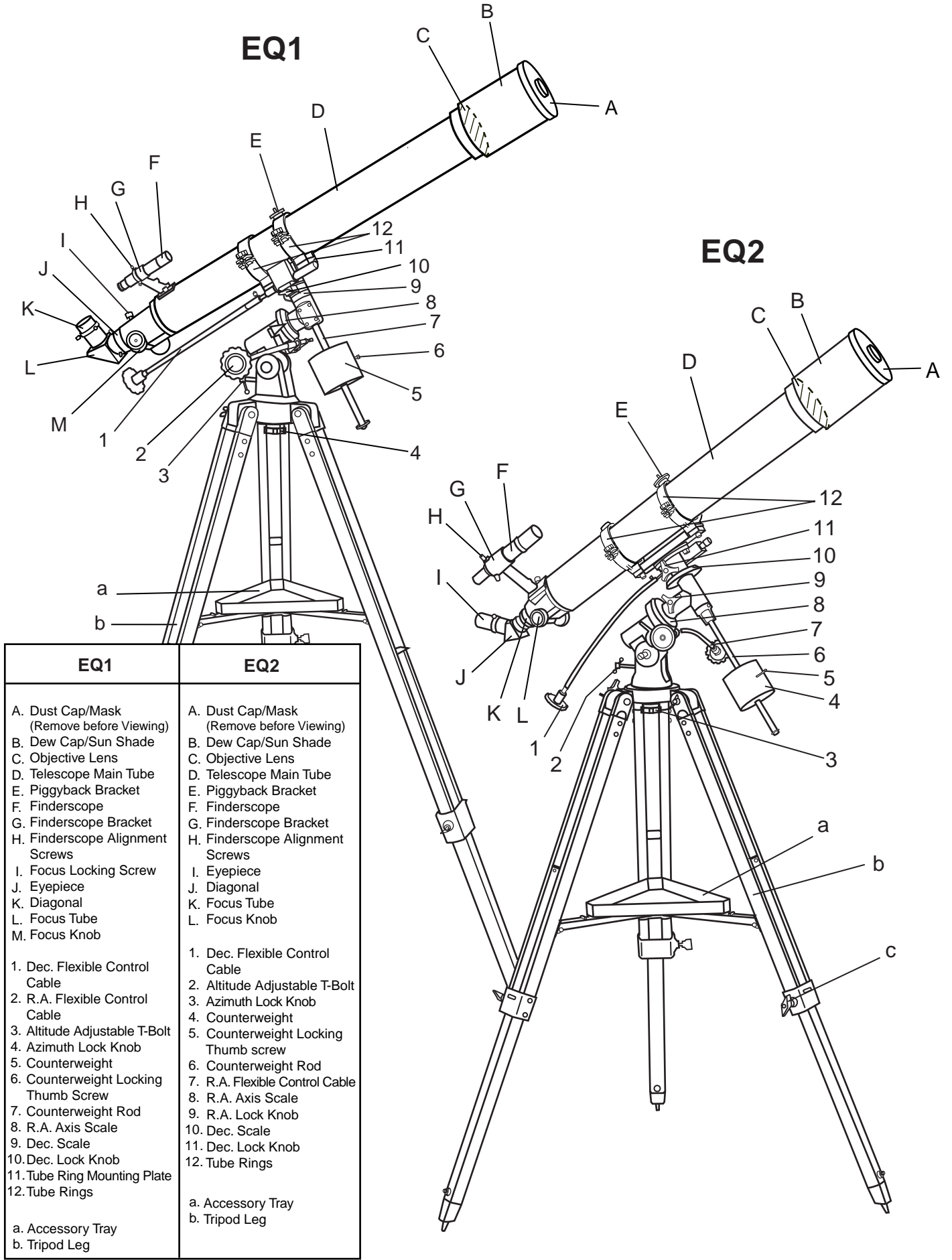


INSTRUCTION MANUAL

Telescopes with EQ1 & EQ2 Mount

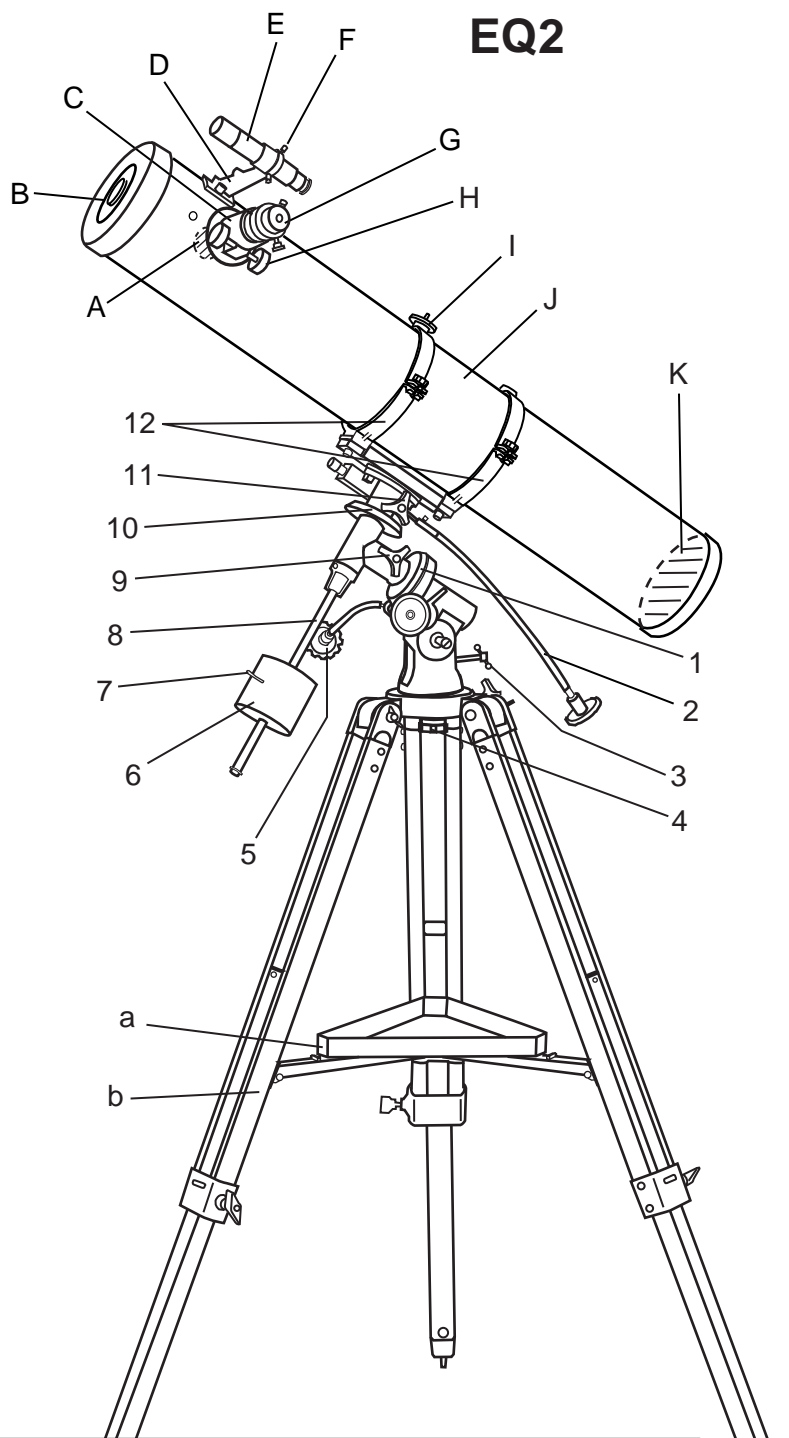
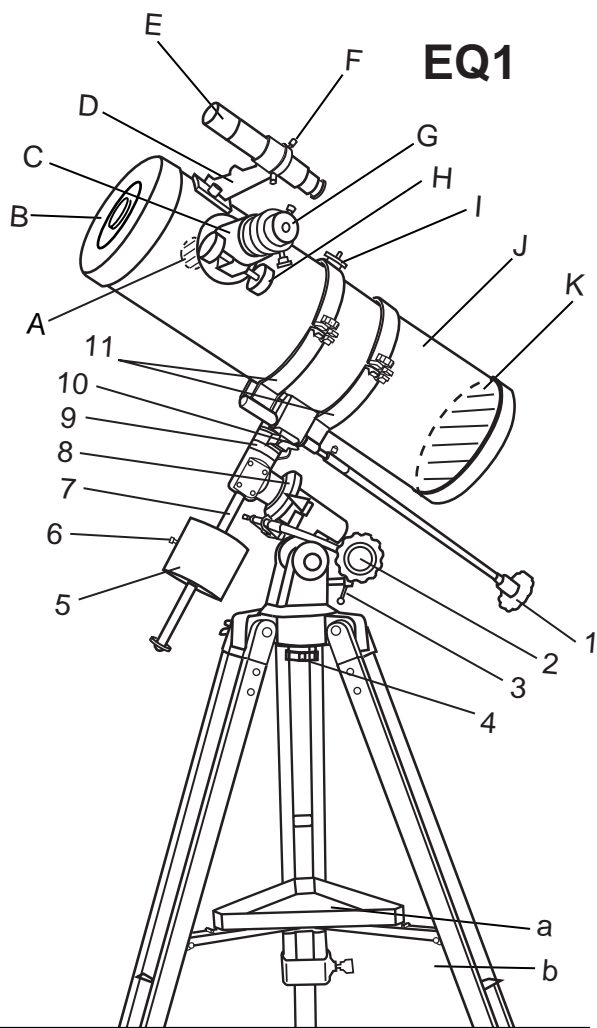


REFRACTOR



EQ1	EQ2
<ul style="list-style-type: none"> A. Dust Cap/Mask (Remove before Viewing) B. Dew Cap/Sun Shade C. Objective Lens D. Telescope Main Tube E. Piggyback Bracket F. Finderscope G. Finderscope Bracket H. Finderscope Alignment Screws I. Focus Locking Screw J. Eyepiece K. Diagonal L. Focus Tube M. Focus Knob 	<ul style="list-style-type: none"> A. Dust Cap/Mask (Remove before Viewing) B. Dew Cap/Sun Shade C. Objective Lens D. Telescope Main Tube E. Piggyback Bracket F. Finderscope G. Finderscope Bracket H. Finderscope Alignment Screws I. Eyepiece J. Diagonal K. Focus Tube L. Focus Knob
<ul style="list-style-type: none"> 1. Dec. Flexible Control Cable 2. R.A. Flexible Control Cable 3. Altitude Adjustable T-Bolt 4. Azimuth Lock Knob 5. Counterweight 6. Counterweight Locking Thumb Screw 7. Counterweight Rod 8. R.A. Axis Scale 9. Dec. Scale 10. Dec. Lock Knob 11. Tube Ring Mounting Plate 12. Tube Rings 	<ul style="list-style-type: none"> 1. Dec. Flexible Control Cable 2. Altitude Adjustable T-Bolt 3. Azimuth Lock Knob 4. Counterweight 5. Counterweight Locking Thumb screw 6. Counterweight Rod 7. R.A. Flexible Control Cable 8. R.A. Axis Scale 9. R.A. Lock Knob 10. Dec. Scale 11. Dec. Lock Knob 12. Tube Rings
<ul style="list-style-type: none"> a. Accessory Tray b. Tripod Leg 	<ul style="list-style-type: none"> a. Accessory Tray b. Tripod Leg

REFLECTOR/MAKSUTOV



EQ1	EQ2
<p>A. Secondary Mirror Position B. Dust Cap / Mask (Remove before Viewing) C. Focus Tube D. Finderscope Bracket E. Finderscope F. Finderscope Alignment Screws G. Eyepiece H. Focus Knob I. Piggyback Bracket J. Telescope Main Tube K. Primary Mirror Position</p> <p>1. Dec. Flexible Control Cable 2. R.A. Flexible Control Cable 3. Altitude Adjustment T-bolt 4. Azimuth Lock Knob 5. Counterweight 6. Counterweight Locking Thumb Screw 7. Counterweight Rod 8. R.A. Scale 9. Dec. Scale 10. Dec. Lock Knob 11. Tube Rings</p> <p>a. Accessory Tray b. Tripod Leg</p>	<p>A. Secondary Mirror Position B. Dust Cap / Mask (Remove before Viewing) C. Focus Tube D. Finderscope Bracket E. Finderscope F. Finderscope Alignment Screws G. Eyepiece H. Focus Knob I. Piggyback Bracket J. Telescope Main Tube K. Primary Mirror Position</p> <p>1. R.A. Scale 2. Dec. Flexible Control Cable 3. Altitude Adjustment T-bolt 4. Azimuth Lock Knob 5. R.A. Flexible Control Cable 6. Counterweight 7. Counterweight Locking Thumb Screw 8. Counterweight Rod 9. R.A. Lock Knob 10. Dec. Scale 11. Dec. Lock Knob 12. Tube Rings</p> <p>a. Accessory Tray b. Tripod Leg</p>

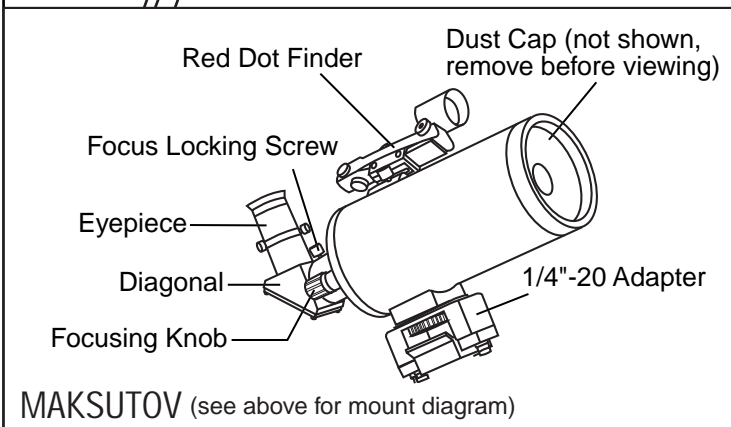


TABLE OF CONTENTS

Assembling Your Telescope	5
For EQ1	
Tripod set up	5
Preparing the mount for assembly	5
Telescope assembly	6
Finderscope/Red dot finder assembly	7
Eyepiece assembly	7
For EQ2	
Tripod set up	8
Telescope assembly	8
Finderscope/Red dot finder assembly	9/10
Eyepiece assembly	10
Operating Your Telescope	11
Aligning the finderscope/Using the red dot finder	11
Balancing the telescope	12
Operating the EQ1 Mount	12
Operating the EQ2 Mount	13
Using the Barlow Lens	13
Focusing	14
Polar Alignment	14
Tracking celestial objects	15
Using the setting circles	15
Pointing your telescope	16
Choosing the appropriate eyepiece	20
Observing the Sky	21
Sky Conditions	21
Selecting an Observing Site	21
Choosing the Best Time to Observe	21
Cooling the Telescope	21
Adapting Your Eyes	21
Proper Care for Your Telescope	22
Collimating a Newtonian	22
Cleaning Your Telescope	23

Before you begin

This instruction manual is applicable to all the models listed on the cover. Take a moment to find the model closest to your telescope on p.2 and p.3. Follow the instructions for your specific model in the manual. Read the entire instructions carefully before beginning. Your telescope should be assembled during daylight hours. Choose a large, open area to work to allow room for all parts to be unpacked.

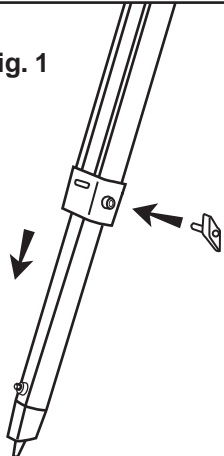
Caution!

NEVER USE YOUR TELESCOPE TO LOOK DIRECTLY AT THE SUN. PERMANENT EYE DAMAGE WILL RESULT. USE A PROPER SOLAR FILTER FOR VIEWING THE SUN. WHEN OBSERVING THE SUN, PLACE A DUST CAP OVER YOUR FINDERSCOPE TO PROTECT IT FROM EXPOSURE. NEVER USE AN EYEPIECE-TYPE SOLAR FILTER AND NEVER USE YOUR TELESCOPE TO PROJECT SUNLIGHT ONTO ANOTHER SURFACE, THE INTERNAL HEAT BUILD-UP WILL DAMAGE THE TELESCOPE OPTICAL ELEMENTS.

FOR EQ1 MOUNT

TRIPOD SET UP

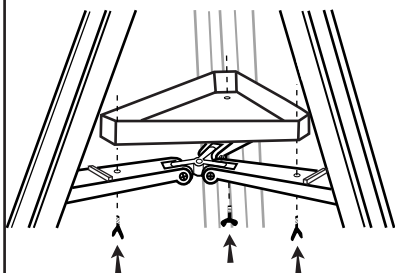
Fig. 1



ADJUSTING TRIPOD LEGS (Fig.1)

- 1) Slowly loosen the height adjustment clamp and gently pull out the lower section of each tripod leg. Tighten the clamps to hold the legs in place.
- 2) Spread the tripod legs apart to stand the tripod upright.
- 3) Adjust the height of each tripod leg until the tripod head is properly leveled. Note that the tripod legs may not be at same length when the equatorial mount is level.

Fig. 2.



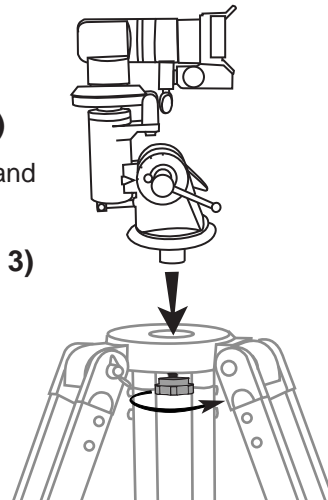
ATTACHING THE ACCESSORY TRAY (Fig. 2)

- 1) Place the accessory tray on top of the bracket, and secure with the locking knob from underneath.

ATTACHING MOUNT TO TRIPOD LEGS (Fig. 3)

- 1) Place the equatorial mount inside the tripod mounting platform.
- 2) Push the azimuth lock knob/locking shaft up and thread the screw into the hole in the bottom of the mount.

Fig. 3

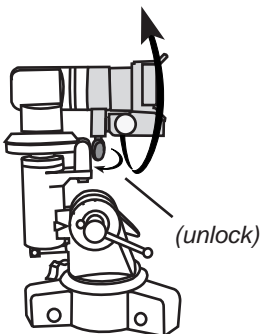


PREPARING THE MOUNT FOR ASSEMBLY

REPOSITIONING THE MOUNT HEAD (Fig.4.1 – 4.5)

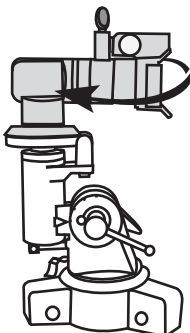
Follow the diagrams to place the mount into an upright position.

Fig.4.1



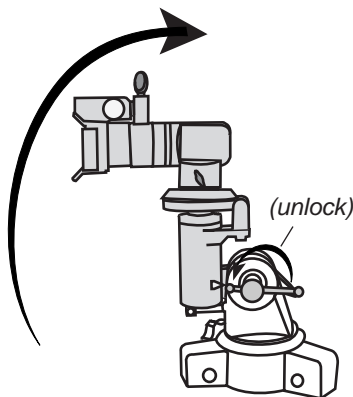
Unlock the DEC lock knob. Swivel 180°.

Fig.4.2



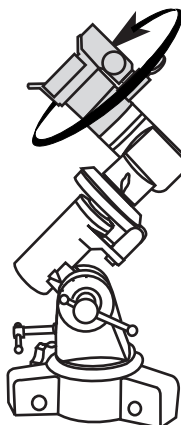
Unlock the R.A. lock knob on the other side. Swivel 180°.

Fig.4.3



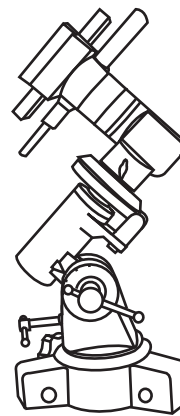
Unlock the altitude lock knob. Set the angle to local altitude.

Fig.4.4



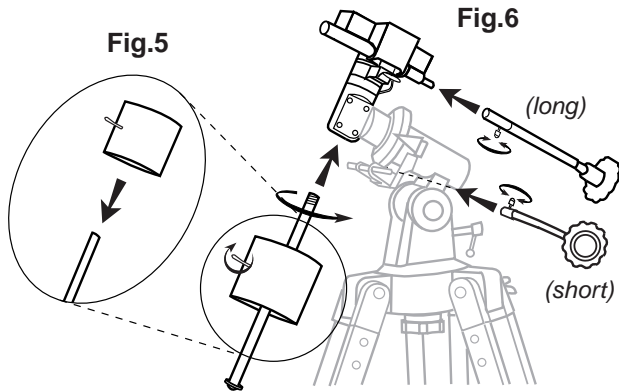
Swivel 180°.

Fig.4.5



Tighten altitude, DEC and R.A. knobs.

TELESCOPE ASSEMBLY



INSTALLING COUNTERWEIGHT (Fig.5)

- 1) Slide counterweight halfway onto rod. Hold the counterweight with one hand and insert counterweight rod into threaded hole on mount with the other hand. Tighten counterweight rod onto mount.
- 2) Tighten thumbscrew to lock counterweight in place.

INSTALLING CONTROL CABLES (Fig.6)

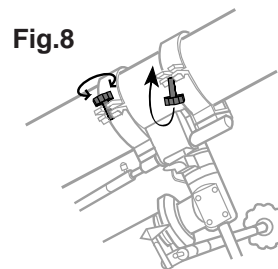
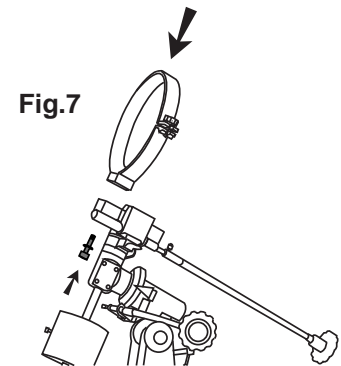
- 1) Slide the sleeve end of the cable over the nipple on the end of the worm gear. Tighten the cable using the set screw against the flat surface on the nipple.

ATTACHING THE TUBE RINGS TO MOUNT (Fig.7)

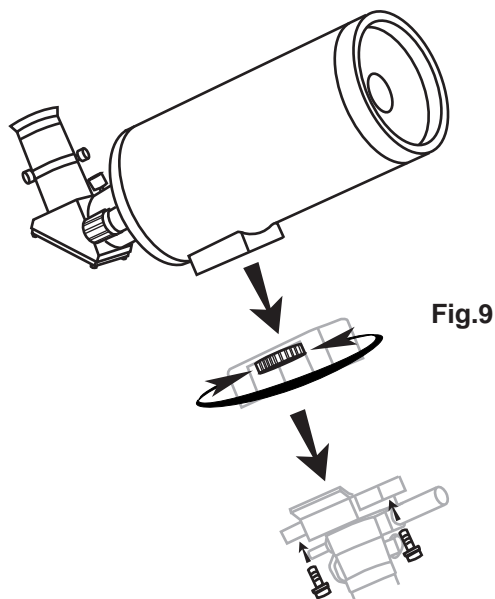
- 1) Remove the tube rings from telescope by releasing their thumb nuts and opening their hinges.
- 2) Place the tube rings on top of the tube ring mounting plate and bolt the tube rings to the mount using the wench provided.

ATTACHING THE TELESCOPE MAIN TUBE TO TUBE RINGS (Fig.8)

- 1) Remove the telescope tube from the paper covering.
- 2) Find the center of balance of the telescope tube. Place this point between the two tube rings. Close the hinges around the telescope and fasten securely by tightening the thumb nuts. Do not over-tighten.



TELESCOPE ASSEMBLY (for Maksutov Telescopes only)



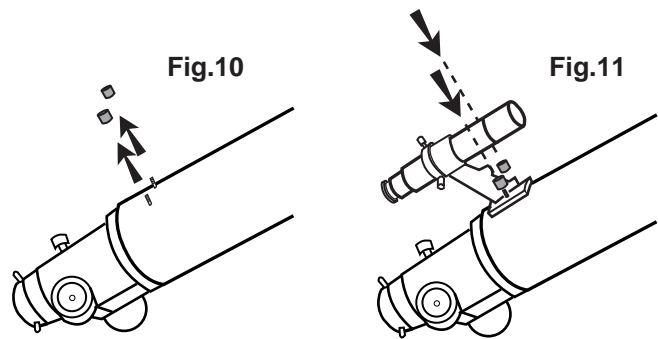
ATTACHING THE TELESCOPE TUBE TO MOUNT (Fig.9)

- 1) Place the telescope tube on top of the 1/4"-20 adapter. Turn the knurled black wheel underneath while holding the tube in place to secure the telescope.
- 2) Fasten the telescope tube assembly to the mount using the wench provided.

FINDERSCOPE ASSEMBLY

ATTACHING THE FINDERSCOPE (Fig.10, 11)

- 1) Locate the finderscope optical assembly.
- 2) Remove the two knurled thumbscrews near the end of the telescope main body. (near the front of the telescope main body for the reflector)
- 3) Position the finderscope bracket over the screws in the telescope main body.
- 4) Secure the finderscope bracket with the two knurled thumbscrews.

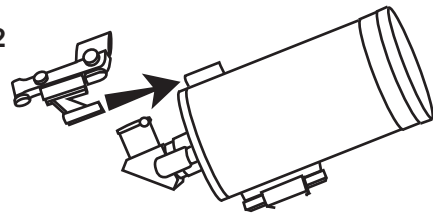


RED DOT FINDER ASSEMBLY

ATTACHING THE RED DOT FINDER (Fig.12)

Slide the red dot finder bracket into the rectangular slot and tighten the screw to hold the red dot finder in place.

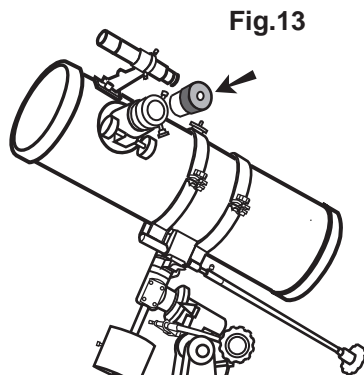
Fig.12



EYEPIECE ASSEMBLY

INSERTING EYEPIECE (Fig.13)

- 1) Unscrew the thumbscrews on the end of the focus tube to remove the black plastic end-cap.
- 2) Insert the desired eyepiece then re-tighten thumb screws to hold the eyepiece in place.



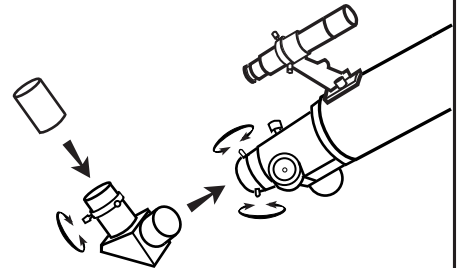
(reflector)

(refractor and Maksutov)

INSERTING EYEPIECE (Fig.14)

- 1) Loosen the thumbscrews on the end of the focus tube.
- 2) Insert the diagonal into the focus tube and re-tighten the thumbscrews to hold the diagonal in place.
- 3) Loosen the thumbscrews on the diagonal.
- 4) Insert the desired eyepiece into diagonal and secure by re-tightening thumbscrews.

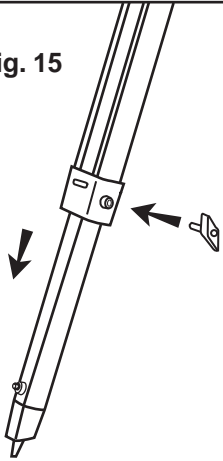
Fig.14



FOR EQ2 MOUNT

TRIPOD SET UP

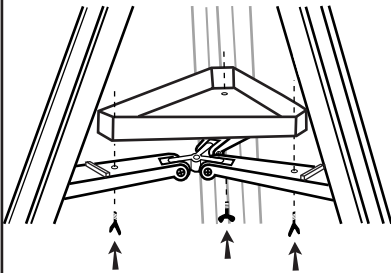
Fig. 15



ADJUSTING TRIPOD LEGS (Fig.15)

- 1) Slowly loosen the height adjustment clamp and gently pull out the lower section of each tripod leg. Tighten the clamps to hold the legs in place.
- 2) Spread the tripod legs apart to stand the tripod upright.
- 3) Adjust the height of each tripod leg until the tripod head is properly leveled. Note that the tripod legs may not be at same length when the equatorial mount is level.

Fig. 16



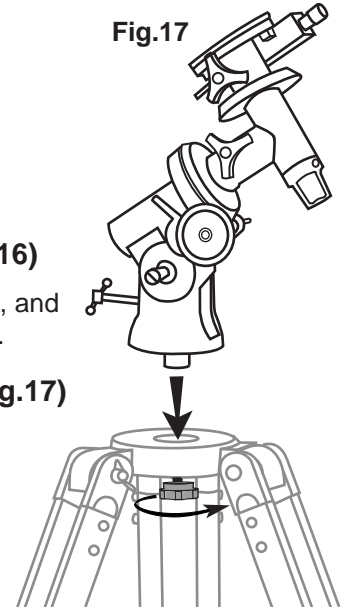
ATTACHING THE ACCESSORY TRAY (Fig.16)

- 1) Place the accessory tray on top of the bracket, and secure with the locking knob from underneath.

ATTACHING MOUNT TO TRIPOD LEGS (Fig.17)

- 1) Place the equatorial mount inside the tripod mounting platform.
- 2) Push the azimuth lock knob/locking shaft up and thread the screw into the hole in the bottom of the mount.

Fig.17



TELESCOPE ASSEMBLY

INSTALLING COUNTERWEIGHT (Fig.18)

- 1) Slide counterweight halfway onto rod. Hold the counterweight with one hand and insert counterweight rod into threaded hole on mount with the other hand. Tighten counterweight rod onto mount.
- 2) Tighten thumbscrew to lock counterweight in place.

INSTALLING CONTROL CABLES (Fig.19)

- 1) Locate the control cables. The control cables have two different lengths. Although you can mount either cable to each direction axis, it is recommended that you mount the longer cable to the declination axis and the shorter cable to the right ascension axis (setting circle).
- 2) To install the control cables, slide the sleeve end of the cable over the nipple on the end of the worm gear. Tighten the cable using the set screw against the flat surface on the nipple.

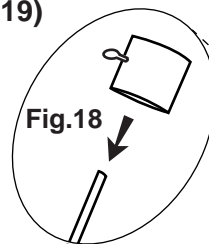
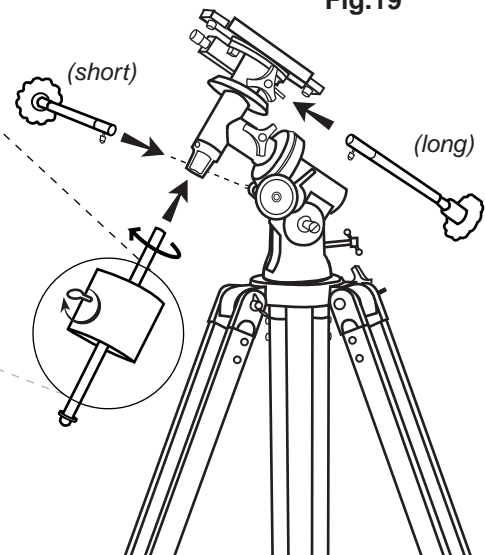


Fig.19



TELESCOPE ASSEMBLY

ATTACHING THE TUBE RINGS TO MOUNT (Fig.20)

- 1) Remove the tube rings from telescope by releasing their thumb nuts and opening their hinges.
- 2) Place the tube rings on top of the tube ring mounting plate and bolt the tube rings to the mount using the wench provided.

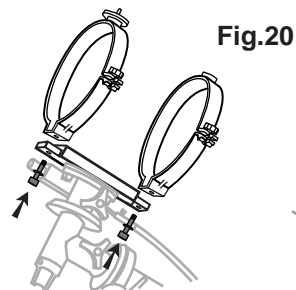


Fig.20

ATTACHING THE TELESCOPE MAIN TUBE TO TUBE RINGS (Fig.21)

- 1) Remove the telescope tube from the paper covering.
- 2) Find the center of balance of the telescope tube. Place this point between the two tube rings. Close the hinges around the telescope and fasten securely by tightening the thumb nuts. Do not over-tighten.

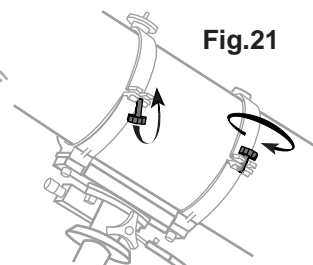


Fig.21

TELESCOPE ASSEMBLY (for Maksutov Telescopes only)

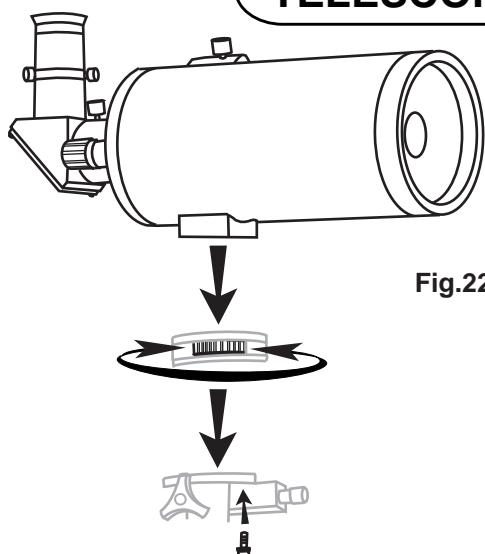


Fig.22

ATTACHING THE TELESCOPE TUBE TO MOUNT (Fig.22)

- 1) Place the telescope tube on top of the 1/4"-20 Adapter. Turn the knurled black wheel underneath while holding the tube in place to secure the telescope.
- 2) Fasten the telescope tube assembly to the mount using the wench provided.

FINDERSCOPE ASSEMBLY

(Small Finderscope)

ATTACHING THE FINDERSCOPE (Fig.23)

- 1) Locate the finderscope optical assembly.
- 2) Remove the two knurled thumbscrews near the front of the telescope main body. (near the end of the telescope main body for the refractor)
- 3) Position the finderscope bracket over the screws in the telescope main body.
- 4) Secure the finderscope assembly with the two knurled thumbscrews.

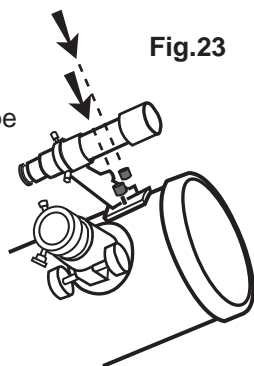


Fig.23

(Large Finderscope)

ATTACHING THE FINDERSCOPE BRACKET (Fig.24)

- 1) Locate the finderscope optical assembly.
- 2) Slide the finderscope bracket into the rectangular slot and tighten the screw to hold the mount in place.

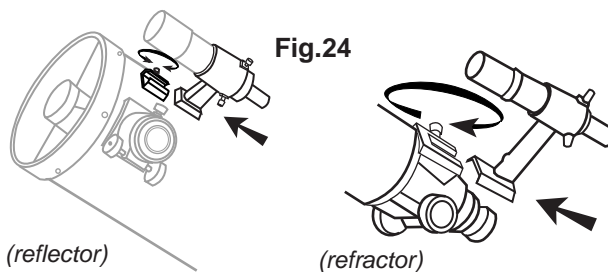


Fig.24

(reflector)

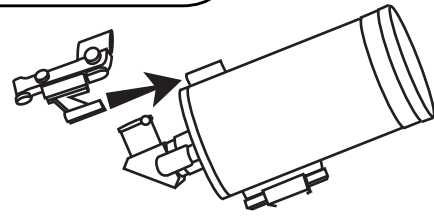
(refractor)

RED DOT FINDER ASSEMBLY

ATTACHING THE RED DOT FINDER (Fig.25)

Slide the red dot finder bracket into the rectangular slot and tighten the screw to hold the red dot finder in place.

Fig.25

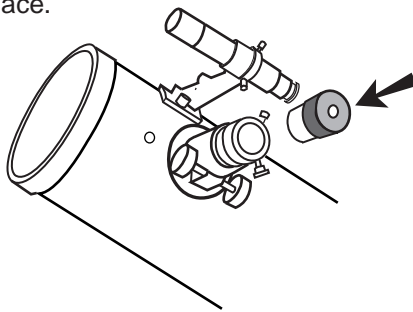


EYEPIECE ASSEMBLY

INSERTING EYEPIECE (Fig.26)

- 1) Unscrew the thumbscrews on the end of the focus tube to remove the black plastic end-cap.
- 2) Insert the desired eyepiece then re-tighten thumb screws to hold the eyepiece in place.

Fig.26

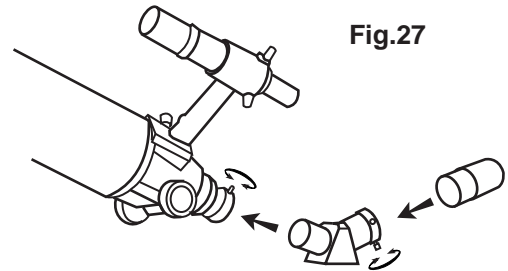


(reflector) (refractor and Maksutov)

INSERTING EYEPIECE (Fig.27)

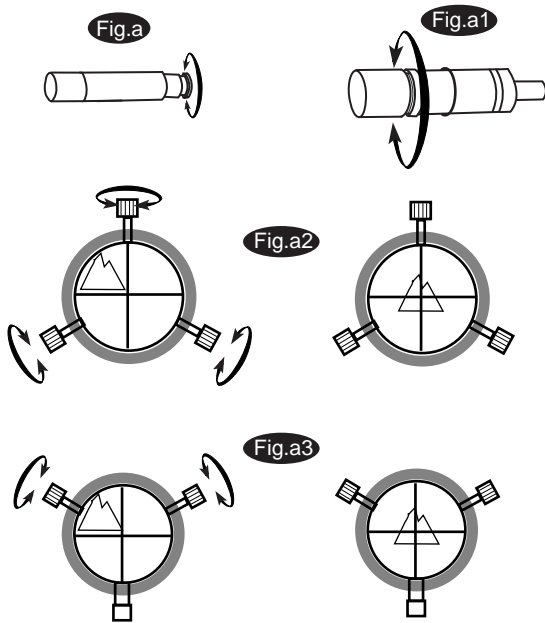
- 1) Loosen the thumbscrew on the end of the focus tube.
- 2) Insert the diagonal into the focus tube and re-tighten the thumbscrew to hold the diagonal in place.
- 3) Loosen the thumbscrews on the diagonal.
- 4) Insert the desired eyepiece into diagonal and secure by re-tightening thumbscrews.

Fig.27



OPERATING YOUR TELESCOPE

Aligning the finderscope



These fixed magnification scopes mounted on the optical tube are very useful accessories. When they are correctly aligned with the telescope, objects can be quickly located and brought to the centre of the field. Alignment is best done outdoors in day light when it's easier to locate objects. If it is necessary to refocus your finderscope, sight on an object that is at least 500 yards (metres) away. For 6x24 finderscope: twist the end of the finderscope until focus is reached (Fig.a). For 6x30 finderscope: loosen the locking ring by unscrewing it back towards the bracket. The front lens holder can now be turned in and out to focus. When focus is reached, lock it in position with the locking ring (Fig.a1).

- 1) Choose a distant object that is at least 500 yards away and point the main telescope at the object. Adjust the telescope so that the object is in the centre of the view in your eyepiece.
- 2) Check the finderscope to see if the object centred in the main telescope view is centred on the crosshairs.
- 3) For the 6x24 finderscope, use the three alignment screws to centre the finderscope crosshairs on the object (Fig.a2). For the 6x30 finderscope with spring loading, adjust only the two small screws (Fig.a3).

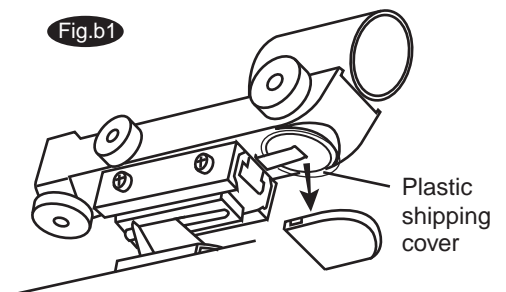
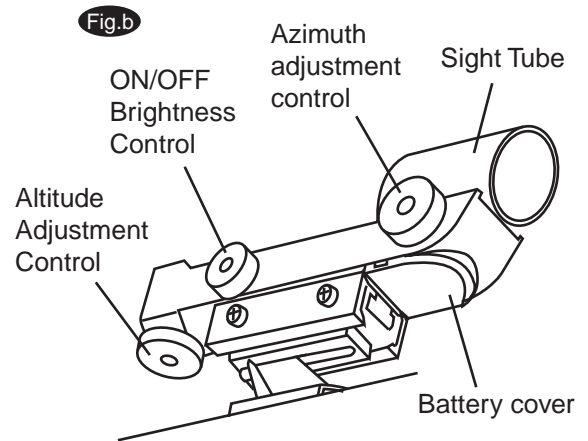
Using the Red Dot Finder

The Red Dot Finder is a zero magnification pointing tool that uses a coated glass window to superimpose the image of a small red dot onto the night sky. The Red Dot Finder is equipped with a variable brightness control, azimuth adjustment control, and altitude adjustment control (Fig.b). The Red Dot Finder is powered by a 3-volt lithium battery located underneath at the front. To use the Finder, simply look through the sight tube and move your telescope until the red dot merges with the object. Make sure to keep both eyes open when sighting.

Aligning the Red Dot Finder

Like all finderscopes, the Red Dot Finder must be properly aligned with the main telescope before use. This is a simple process using the azimuth and altitude control knobs.

1. Open the battery cover by pulling it down (you can gently pry at the 2 small slots) and remove the plastic shipping cover over the battery (Fig.b1).
2. Turn on the Red Dot Finder by rotating the variable brightness control clockwise until you hear a "click". Continue rotating the control knob to increase the brightness level.
3. Insert a low power eyepiece into the telescope's focuser. Locate a bright object and position the telescope so that the object is in the centre of the field of view.
4. With both eyes open, look through the sight tube at the object. If the red dot overlaps the object, your Red Dot Finder is perfectly aligned. If not, turn its azimuth and altitude adjustment controls until the red dot is merged with the object.

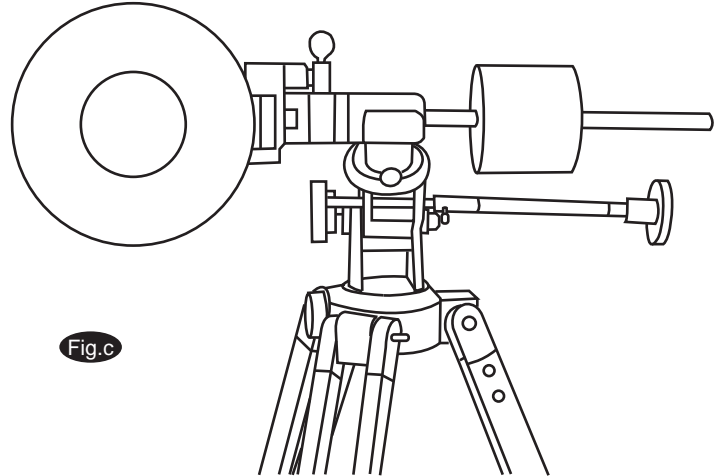


Balancing the telescope

The telescope should be balanced before each observing session. Balancing reduces stress on the mount and allows precise micro-adjustment control. A balanced telescope is especially critical when using the optional clock drive for astrophotography. The telescope should be balanced after all accessories (eyepiece, camera, etc.) have been attached. Before balancing your telescope, make sure that your tripod is in a balanced level and on a stable surface. For photography, point the telescope in the direction you will be taking photos before performing the balancing steps.

R.A. Balancing

- 1) For best result, adjust the altitude of the mount to between 15° and 30° if possible by using the altitude adjustment T-bolt.
- 2) Slowly unlock the R.A. and Dec. lock knobs. Rotate the telescope until both the optical tube and counterweight rod is horizontal to the ground, and the telescope tube is to the side of the mount. (Fig.c)
- 3) Tighten the Dec. lock knob.
- 4) Move the counterweight along the counterweight rod until the telescope is balanced and remains stationary when released.
- 5) Tighten the counterweight thumb screw to hold the counterweight in its new position.



DEC. Balancing

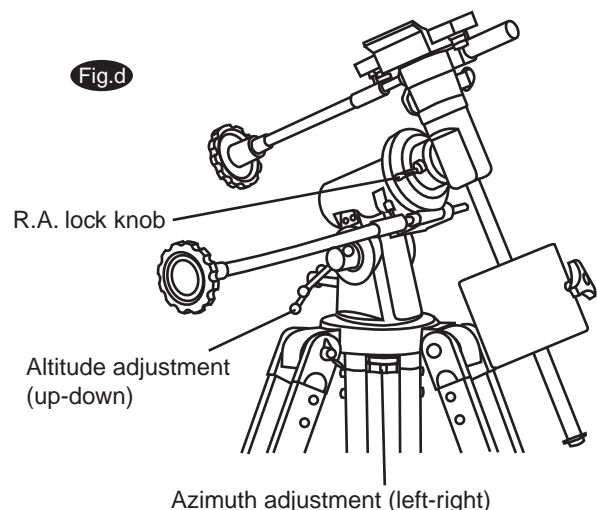
All accessories should be attached to the telescope before balancing around the declination axis. The R.A. balancing should be done before proceeding with Dec. balancing.

- 1) For best results, adjust altitude of the mount to between 60° and 75° if possible.
- 2) Release the R.A. lock knob and rotate around the R.A. axis so that the counterweight rod is in a horizontal position. Tighten the R.A. thumbscrew.
- 3) Unlock the Dec. thumbscrew and rotate the telescope tube until it is parallel to the ground.
- 4) Slowly release the telescope and determine in which direction it rotates. Loosen the telescope tube rings and slide the telescope tube forward or backward in the clamps until it is balanced.
- 5) Once the telescope no longer rotates from its parallel starting position, re-tighten tube rings and the Dec. lock knob. Reset altitude axis to your local latitude.

Operating the EQ1 mount

The EQ1 mount has controls for both conventional altitude (up-down) and azimuth (left-right) directions of motion. These two adjustments are suggested for large direction changes and for terrestrial viewing. Use the large knurled knob located underneath for azimuth adjustments. Loosen the knob and rotate the mount head around the azimuth axis. Use the altitude adjustment T-bolts for altitude adjustments (Fig.d).

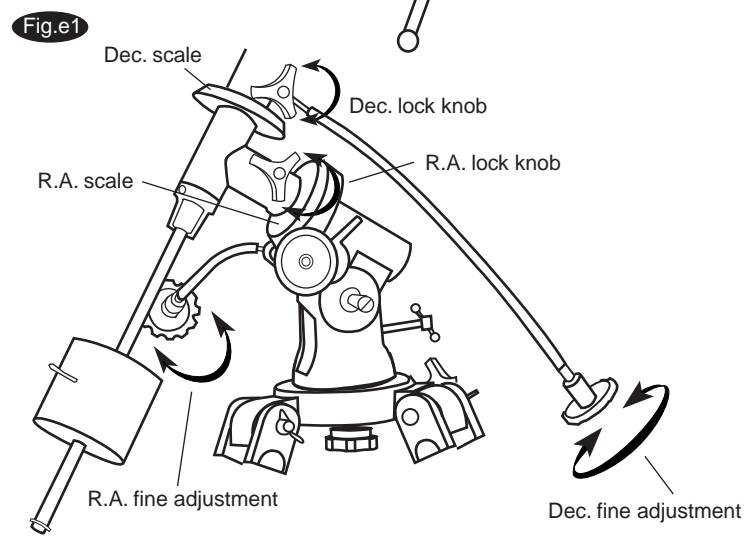
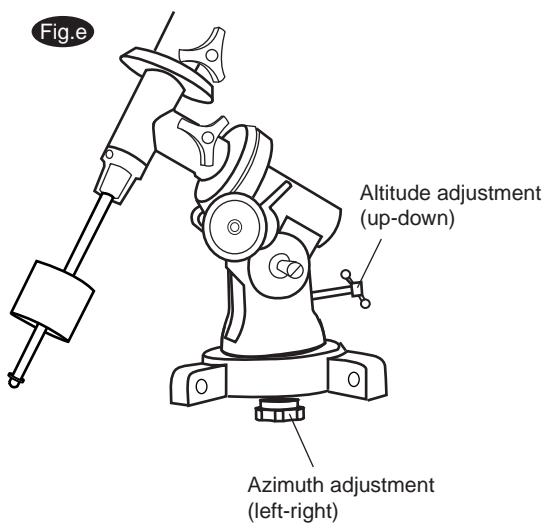
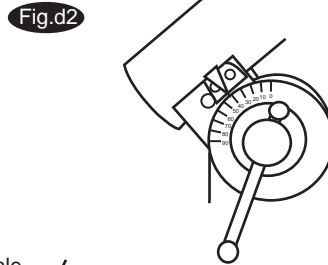
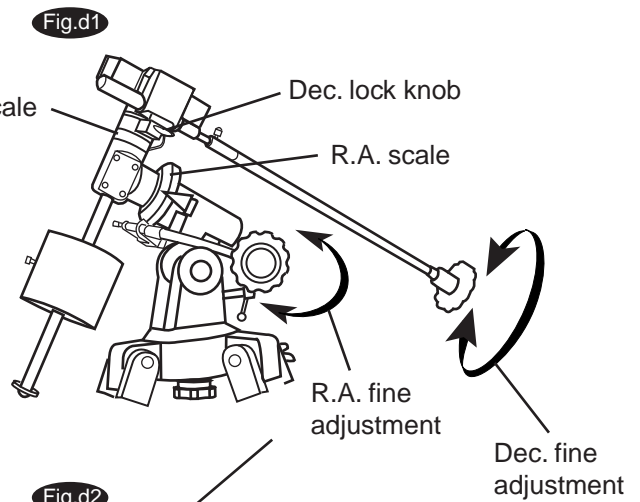
In addition, this mount has Right Ascension (hour angle) and declination direction controls for polar-aligned astronomical observing. Loosen the lock knobs to make large direction changes. Use the control cables for fine adjustment after the lock knobs have both been locked (Fig.d1). An additional scale is included for the altitude axis. This allows polar alignment for your local latitude. (Fig.d2)



Operating the EQ2 mount

The EQ2 mount has controls for both conventional altitude (up-down) and azimuth (left-right) directions of motion. These two adjustments are suggested for large direction changes and for terrestrial viewing. Use the large knurled knob located underneath for azimuth adjustments. Loosen the knob and rotate the mount head around the azimuth axis. Use the altitude adjustment T-bolts for altitude adjustments (Fig.e).

In addition, this mount has Right Ascension (hour angle) and declination direction controls for polar-aligned astronomical observing. Loosen the lock knobs to make large direction changes. Use the control cables for fine adjustment after the lock knobs have both been locked (Fig.e1). An additional scale is included for the altitude axis. This allows polar alignment for your local latitude. (Fig.d2)

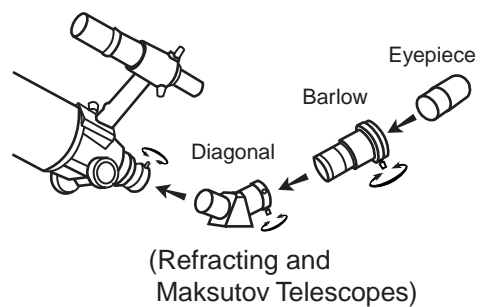
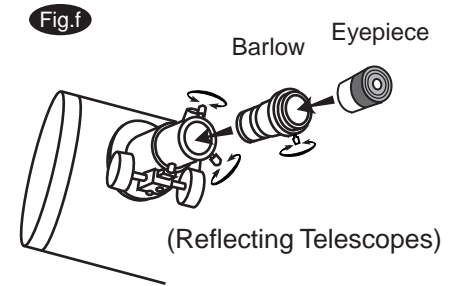


Using the optional Barlow lens

A Barlow is a negative lens which increases the magnifying power of an eyepiece, while reducing the field of view. It expands the cone of the focussed light before it reaches the focal point, so that the telescope's focal length appears longer to the eyepiece.

The Barlow is inserted between the focuser and the eyepiece in a reflector, and usually between the diagonal and the eyepiece in a refractor or a catadioptric (Fig.f). With some telescopes, it can also be inserted between the focuser and the diagonal, and in this position it gives even greater magnification. For example, a 2X Barlow when inserted after the diagonal can become 3X when placed in front of the diagonal.

In addition to increasing magnification, the benefits of using a Barlow lens include improved eye relief, and reduced spherical aberration in the eyepiece. For this reason, a Barlow plus a lens often outperform a single lens producing the same magnification. However, its greatest value may be that a Barlow can potentially double the number of eyepiece in your collection.



Focusing

Slowly turn the focus knobs under the focuser, one way or the other, until the image in the eyepiece is sharp (Fig.g). The image usually has to be finely refocused over time, due to small variations caused by temperature changes, flexures, etc. This often happens with short focal ratio telescopes, particularly when they haven't yet reached outside temperature. Refocusing is almost always necessary when you change an eyepiece or add or remove a Barlow lens.

Polar Alignment

In order for your telescope to track objects in the sky you have to align your mount. This means tilting the head over so that it points to the North (or South) celestial pole. For people in the Northern Hemisphere this is rather easy as there is a bright star very near the spot Polaris. For casual observing, rough polar alignment is adequate. Make sure your equatorial mount is level and the red dot finder is aligned with the telescope before beginning.

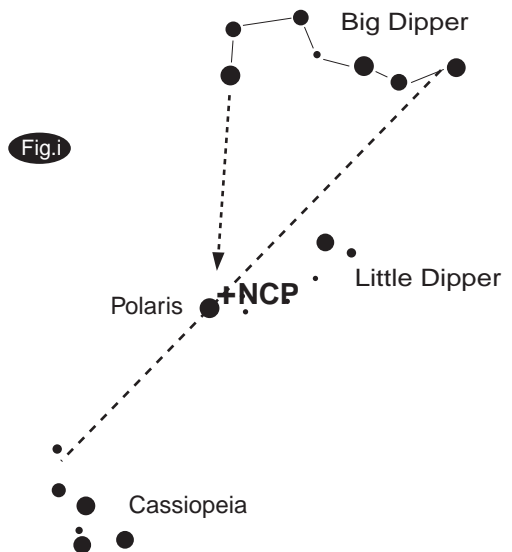
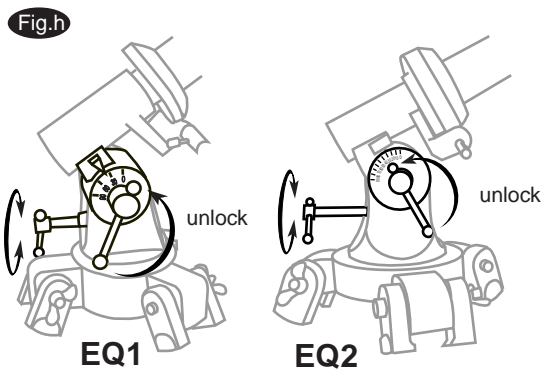
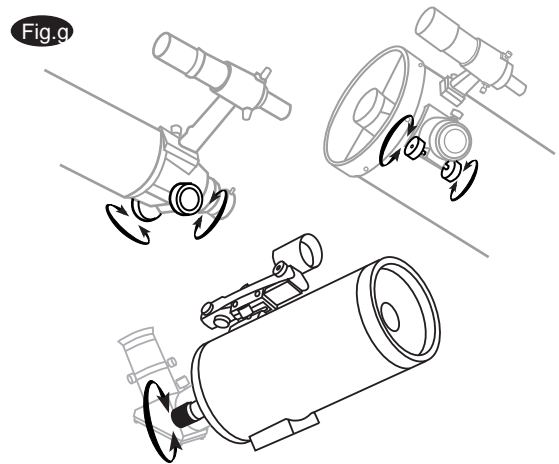
Look up your latitude on a map, road maps are good for this purpose. Now look at the side of your mount head, there you will see a scale running from 0-90 degrees. Unlock the hinge of the mount by gently pulling on the lock lever counter-clockwise. At the bottom of the head is a screw that pushes on a tongue under the hinge, changing the angle. Spin this until your latitude is shown on the scale by the indicator pin, then lock the hinge (Fig.h).

"Pole Star" is less than one degree from the North Celestial Pole (NCP). Because it is not exactly at the NCP, Polaris appears to trace a small circle around it as the Earth rotates. Polaris is offset from the NCP, toward Cassiopeia and away from the end of the handle of the Big Dipper (Fig.i).

EQ1: Unlock the DEC lock knob and rotate the telescope tube until the pointer on the setting circle reads 90°. Retighten the DEC lock knob. Loosen the azimuth lock knob and rotate the mount horizontally until the R.A. axis points roughly at Polaris. Retighten the azimuth lock knob. Look through the finderscope and centre Polaris on the crosshairs by adjusting the azimuth and latitude settings if a more accurate polar alignment is desired.

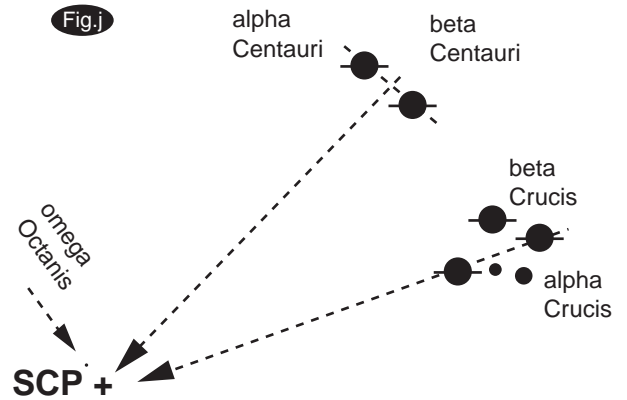
EQ2: Unlock the DEC lock knob and rotate the telescope tube until the pointer on the setting circle reads 90°. Retighten the DEC lock knob. At the top of the main shaft is a white line with "R" "A" on either side of it. Loosen the azimuth lock knob and rotate the mount until the white line points roughly at Polaris. Retighten the azimuth lock knob. Look through the finderscope and centre Polaris on the crosshairs by adjusting the azimuth and latitude settings if a more accurate polar alignment is desired.

After a while you will notice your target drifting slowly North or South depending on the direction of the pole relative to Polaris. To keep the target in the center of the view, turn only the R.A. slow-motion cable. After your telescope is polar aligned, no further adjustments in the azimuth and latitude of the mount should be made in the observing session, nor should you move the tripod. Only movements in R.A. and DEC axis should be made in order to keep an object in the field.



Southern Hemisphere

In the Southern Hemisphere you must align the mount to the SCP by locating its position with star patterns, without the convenience of a nearby bright star. The closest star is the faint 5.5-mag. Sigma Octanis which is about one degree away. Two sets of pointers which help to locate the SCP are alpha and beta Crucis (in the Southern Cross) and a pointer running at a right angle to a line connecting alpha and beta Centauri (Fig.j).



Tracking Celestial Objects

When observing through a telescope, astronomical objects appear to move slowly through the telescope's field of view. When the mount is correctly polar aligned, you only need to turn the R.A. slow-motion to follow or track objects as they move through the field. The DEC. slow-motion control is not needed for tracking. A R.A. motor drive can be added to automatically track celestial objects by counteracting the rotation of the Earth. The rotation speed of the R.A. drive matches the Earth's rotation rate for stars to appear stationary in the telescope eyepiece. Different tracking speeds are also available in some models. A second drive can be added to give DEC control which is very useful for doing astrophotography.

Using the setting circles

The quickest way to find objects is to learn the Constellations and use the Red Dot Finder, but if the object is too faint you may want to use setting circles on your mount. Setting circles enable you to locate celestial objects whose celestial co-ordinates have been determined from star charts.

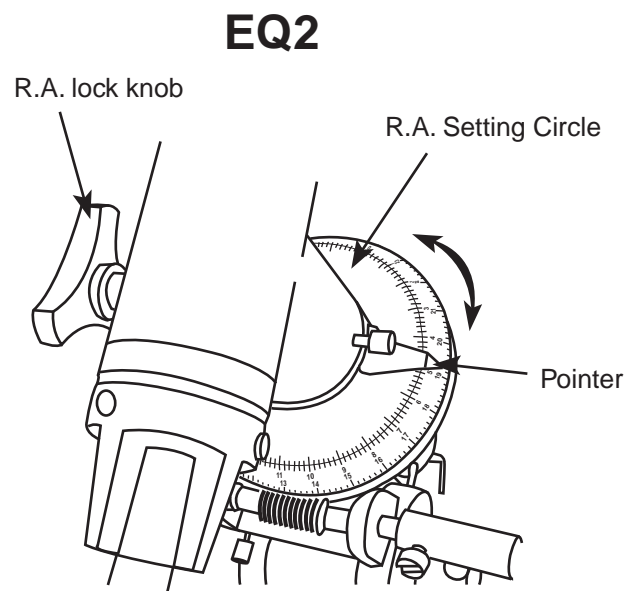
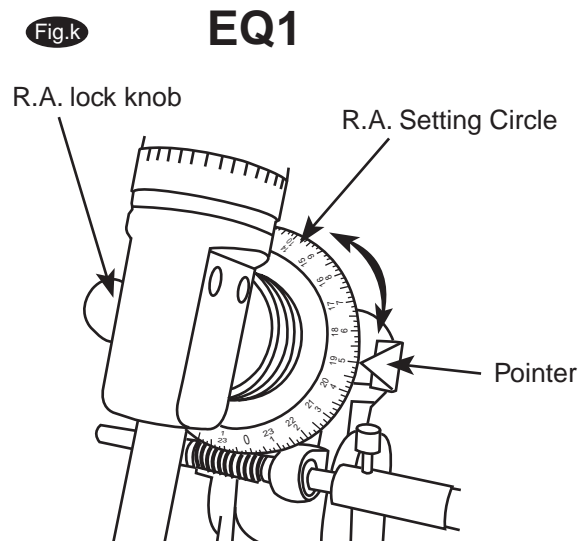
Your telescope must be polar aligned and the R.A. setting circle must be calibrated before using the setting circles. The DEC. setting circle was set at the factory, and does not require calibrating the same manner as the R.A. setting circle.

Reading the R.A. setting circle

The telescope's R.A. setting circle is scaled in hours, from 1 through 24, with small lines in between representing 10 minute increments. The upper set of numbers apply to viewing in the Northern Hemisphere, while the numbers below them apply to viewing in the Southern Hemisphere (Fig.k).

Setting (calibrating) the R.A. setting circle

In order to set your Right Ascension circle you must first find a star in your field of view with known coordinates. A good one would be the 0.0 magnitude star Vega in the Constellation Lyra. From a star chart we know the R.A. coordinate of Vega is 18h 36m. Loosen the R.A. and DEC. lock knobs on the mount and adjust the telescope so that Vega is centred in the field of view of the eyepiece. Tighten the R.A. and DEC. lock knobs to lock the mount in place. Now rotate the R.A. setting circle until it reads 18h36m. You are now ready to use the setting circles to find objects in the sky.



Finding objects using the setting circles

Example: Finding the faint planetary nebula M57; "The Ring"

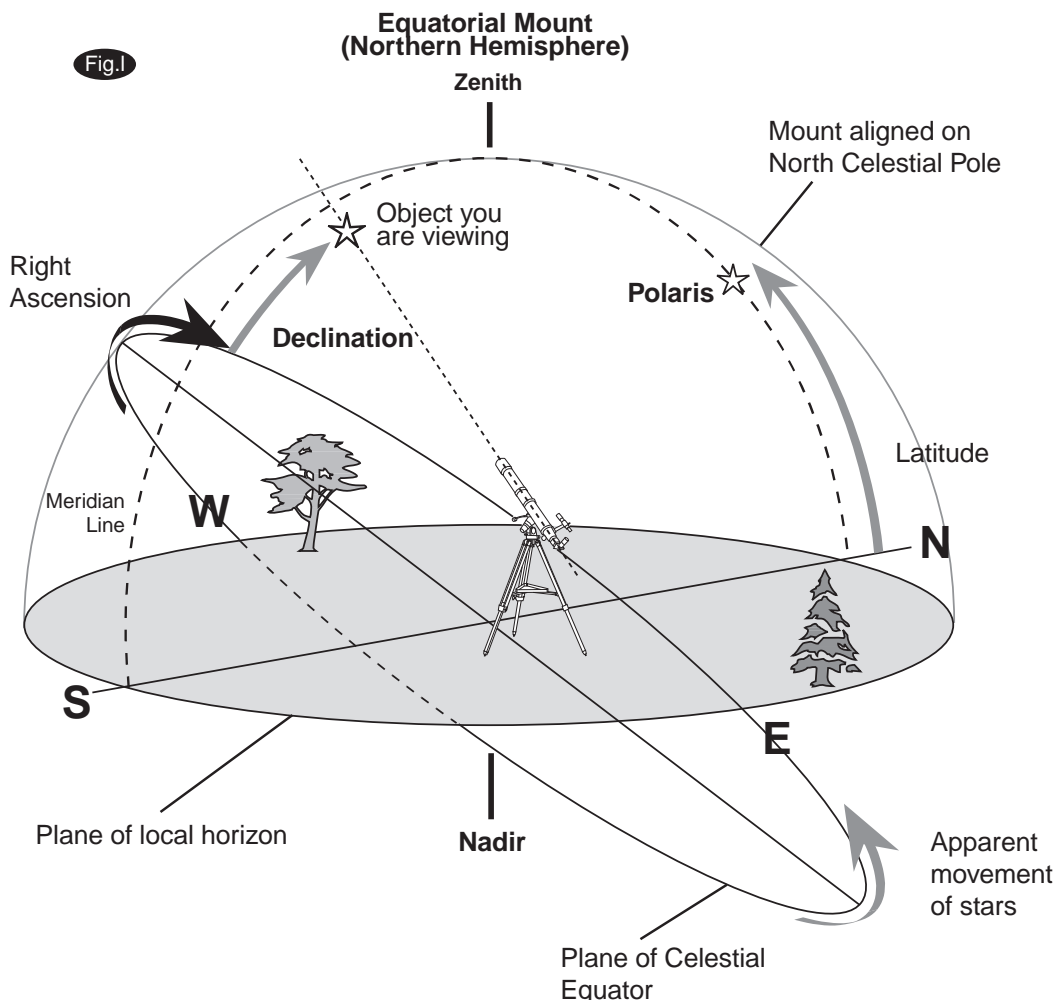
From a star chart, we know the coordinates of the Rings are Dec. 33° and R.A. 18h52m. Unlock the DEC lock knob and rotate your telescope in DEC until the pointer on the DEC setting circle reads 33° . Re-tighten the DEC lock knob. Loosen the R.A. lock knob and rotate the telescope in R.A. until the pointer on the R.A. setting circle reads 18h52m (do not move the R.A. circle). Re-tighten the R.A. lock knob. Now look through the Red Dot Finder to see if you have found M57. Adjust the telescope with R.A. and DEC. flexible cables until M57 is centred in the Red Dot Finder. Now look through the telescope using a low power eyepiece. Centre M57 in the field of view of the eyepiece.

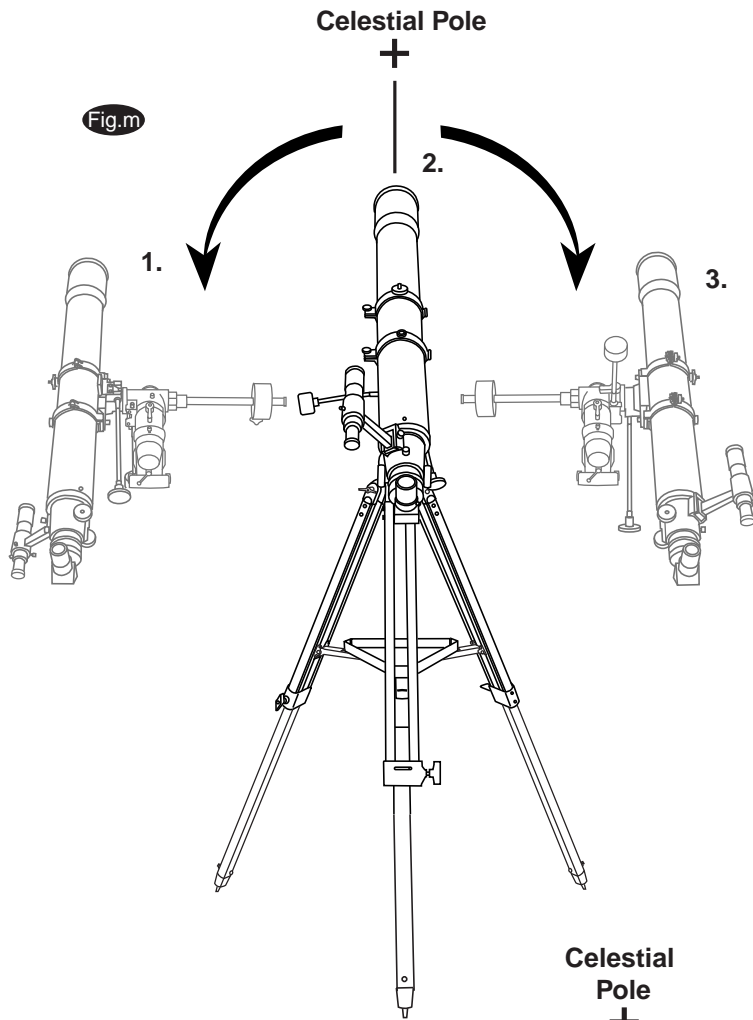
The setting circles will get you close to the object you wish to observe, but are not accurate enough to put it in the centre of your Red Dot Finder's/finderscope's field of view. The accuracy of your setting circles also depends on how accurate your telescope is polar aligned.

Pointing Your Telescope

A German Equatorial mount has an adjustment, sometimes called a wedge, which tilts the mount's polar axis so that it points at the appropriate Celestial Pole (NCP or SCP). Once the mount has been polar aligned, it needs to be rotated around only the polar axis to keep an object centred. Do not reposition the mount base or change the latitude setting. The mount has already been correctly aligned for your geographical location (ie. Latitude), and all remaining telescope pointing is done by rotating the optical tube around the polar (R.A.) and declination axes.

A problem for many beginners is recognizing that a polar-aligned, equatorial mount acts like an alt-azimuth mount which has been aligned to a celestial pole. The wedge tilts the mount to an angle equal to the observer's Latitude, and therefore it swivels around a plane which parallels the celestial (and Earth's) equator (Fig.1). This is now its "horizon"; but remember that part of the new horizon is usually blocked by the Earth. This new "azimuth" motion is called Right Ascension (R.A.). In addition, the mount swivels North(+) and South(-) from the Celestial Equator towards the celestial poles. This plus or minus "altitude" from the celestial equator is called Declination (Dec).



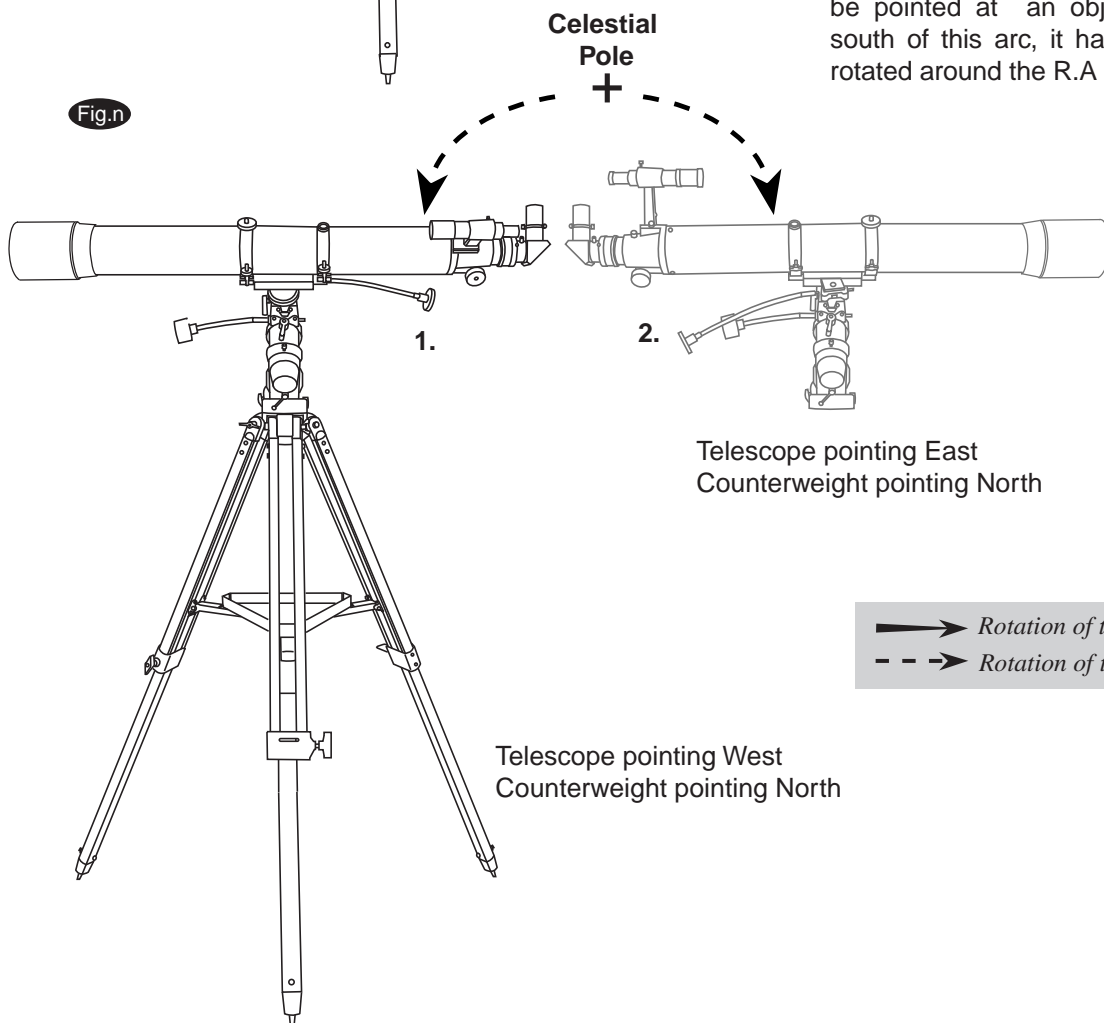


Pointing to the NCP

For the following examples, it is assumed that the observing site is in the Northern Hemisphere. In the first case (Fig.m2), the optical tube is pointing to the NCP. This is its probable position following the polar-alignment step. Since the telescope is pointing parallel to the polar axis, it still points to the NCP as it is rotated around that axis counter-clockwise, (Fig.m1) or clockwise (Fig.m3).

Pointing toward the western or eastern horizon

Now, consider pointing the telescope to the western (Fig.n1) or eastern (Fig.n2) horizon. If the counterweight is pointing North, the telescope can be swivelled from one horizon to the other around the Dec axis in an arc that passes through the NCP (any Dec arc will pass through the NCP if the mount is polar-aligned). It can be seen then that if the optical tube needs to be pointed at an object north or south of this arc, it has to be also rotated around the R.A axis.

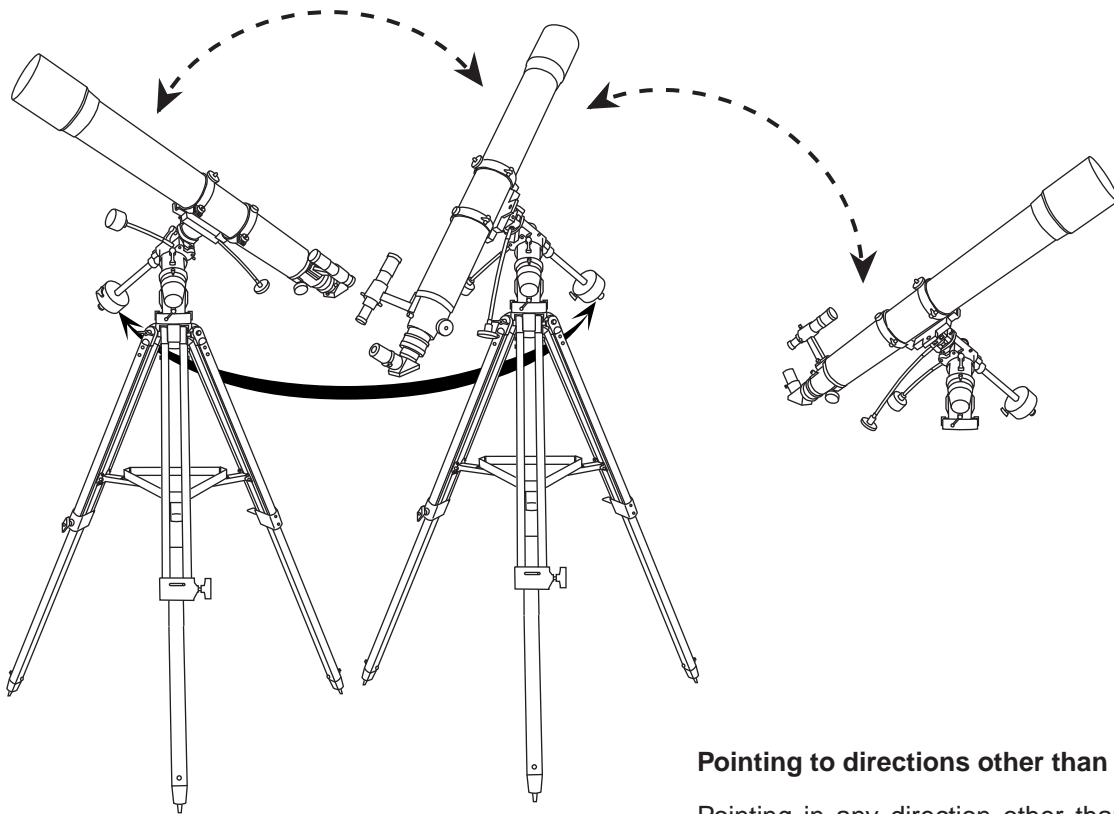


Telescope pointing East
Counterweight pointing North

Telescope pointing West
Counterweight pointing North

—→ Rotation of the R.A. axis
- - -→ Rotation of the Dec. axis

Fig.o

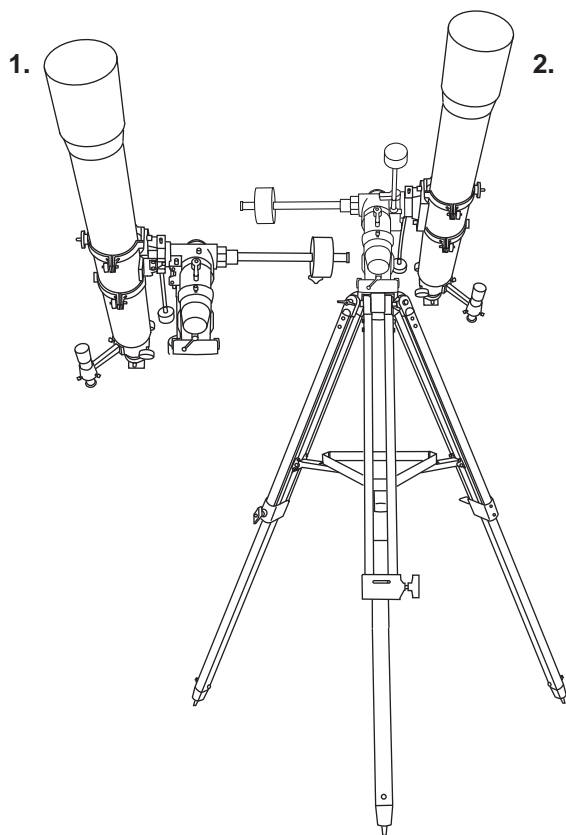


Examples of the telescope moved in R.A. and Dec

Pointing to directions other than due North

Pointing in any direction other than due North requires a combination of R.A. and Dec positions (Fig.o). This can be visualized as a series of Dec arcs, each resulting from the position of rotation of the R.A. axis. In practice however, the telescope is usually pointed, with the aid of a finderscope, by loosening both the R.A. and Dec locks and swivelling the mount around both axes until the object is centred in the eyepiece field. The swivelling is best done by placing one hand on the optical tube and the other on the counter-weight bar, so that the movement around both axes is smooth, and no extra lateral force is applied to the axis-bearings. When the object is centred, make sure the R.A and Dec locks are both re-tightened to hold the object in the field and allow tracking by adjusting only in R.A.

Fig.p



Telescope pointing South

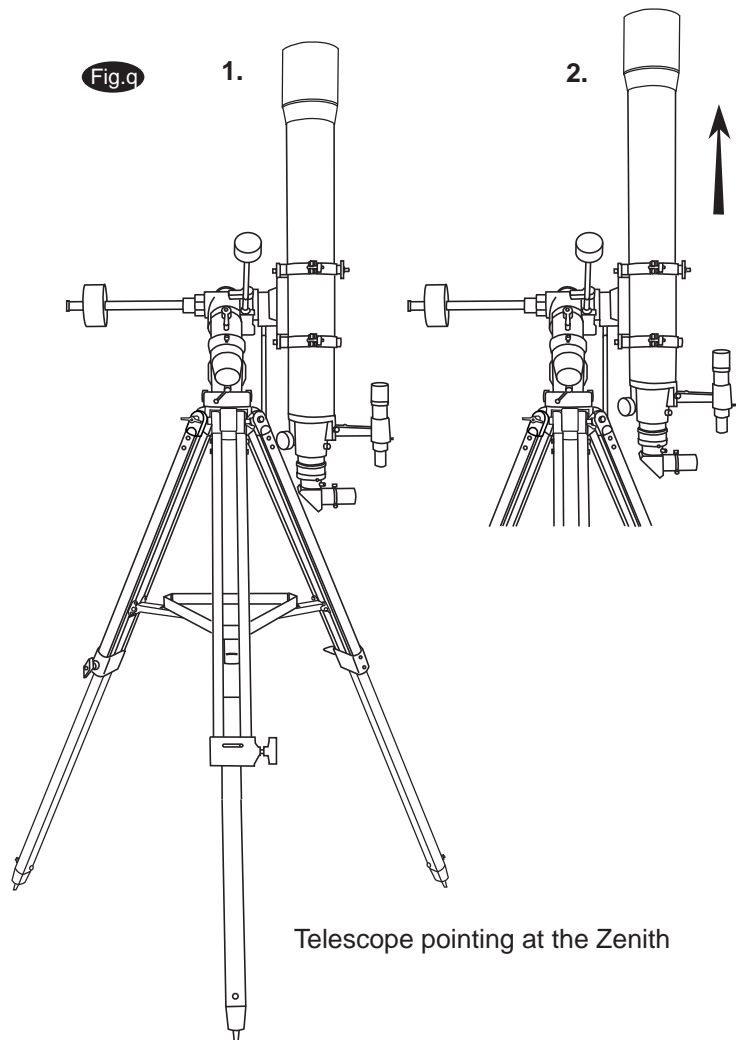
Pointing at an object

Pointing at an object, for example to the South (Fig.p), can often be achieved with the optical tube positioned on either side of the mount. When there is a choice of sides, particularly when there could be a long observing period, the East side (Fig.p2) should be chosen in the Northern Hemisphere because tracking in R.A. will move it away from the mount's legs. This is particularly important when using an R.A motor, because if the optical tube jams against the mount's legs, it can result in damage to the motor and/or the gears.

Telescopes with long focal lengths often have a "blind spot" when pointing near the zenith, because the eyepiece-end of the optical tube bumps into the mount's legs (Fig. q1). To adapt for this, the optical tube can be very carefully slipped up inside the tube rings (Fig. q2). This can be done safely because the tube is pointing almost vertically, and therefore moving it does not cause a Dec-balance problem. It is very important to move the tube back to the Dec-balanced position before observing other sky areas.

Something which can be a problem is that the optical tube often rotates so that the eyepiece, finderscope and the focussing knobs are in less convenient positions. The diagonal can be rotated to adjust the eyepiece. However, to adjust the positions of the finderscope and focussing knobs, loosen the tube rings holding the optical tube and gently rotate it. Do this when you are going to view an area for while, but it is inconvenient to do every time you briefly go to a new area.

Finally, there are a few things to consider to ensure that you are comfortable during the viewing session. First is setting the height of the mount above the ground by adjusting the tripod legs. You must consider the height that you want your eyepiece to be, and if possible plan on sitting on a comfortable chair or stool. Very long optical tubes need to be mounted higher or you will end up crouching or lying on the ground when looking at objects near the zenith. On the other hand, a short optical tube can be mounted lower so that there is less movement due to vibration sources, such as wind. This is something that should be decided before going through the effort of polar aligning the mount.



Choosing the Appropriate Eyepiece

Calculating the magnification (power)

The magnification produced by a telescope is determined by the focal length of the eyepiece that is used with it. To determine a magnification for your telescope, divide its focal length by the focal length of the eyepieces you are going to use. For example, a 10mm focal length eyepiece will give 80X magnification with an 800mm focal length telescope.

$$\text{magnification} = \frac{\text{Focal length of the telescope}}{\text{Focal length of the eyepiece}} = \frac{800\text{mm}}{10\text{mm}} = 80\text{X}$$

When you are looking at astronomical objects, you are looking through a column of air that reaches to the edge of space and that column seldom stays still. Similarly, when viewing over land you are often looking through heat waves radiating from the ground, house, buildings, etc. Your telescope may be able to give very high magnification but what you end up magnifying is all the turbulence between the telescope and the subject. A good rule of thumb is that the usable magnification of a telescope is about 2X per mm of aperture under good conditions.

Calculating the field of view

The size of the view that you see through your telescope is called the true (or actual) field of view and it is determined by the design of the eyepiece. Every eyepiece has a value, called the apparent field of view, which is supplied by the manufacturer. Field of view is usually measured in degrees and/or arc-minutes (there are 60 arc-minutes in a degree). The true field of view produced by your telescope is calculated by dividing the eyepiece's apparent field of view by the magnification that you previously calculated for the combination. Using the figures in the previous magnification example, if your 10mm eyepiece has an apparent field of view of 52 degrees, then the true field of view is 0.65 degrees or 39 arc-minutes.

$$\text{True Field of View} = \frac{\text{Apparent Field of View}}{\text{Magnification}} = \frac{52^\circ}{80\text{X}} = 0.65^\circ$$

To put this in perspective, the moon is about 0.5° or 30 arc-minutes in diameter, so this combination would be fine for viewing the whole moon with a little room to spare. Remember, too much magnification and too small a field of view can make it very hard to find things. It is usually best to start at a lower magnification with its wider field and then increase the magnification when you have found what you are looking for. First find the moon then look at the shadows in the craters!

Calculating the exit pupil

The Exit Pupil is the diameter (in mm) of the narrowest point of the cone of light leaving your telescope. Knowing this value for a telescope-eyepiece combination tells you whether your eye is receiving all of the light that your primary lens or mirror is providing. The average person has a fully dilated pupil diameter of about 7mm. This value varies a bit from person to person, is less until your eyes become fully dark adapted and decreases as you get older. To determine an exit pupil, you divide the diameter of the primary of your telescope (in mm) by the magnification.

$$\text{Exit Pupil} = \frac{\text{Diameter of Primary mirror in mm}}{\text{Magnification}}$$

For example, a 200mm f/5 telescope with a 40mm eyepiece produces a magnification of 25x and an exit pupil of 8mm. This combination can probably be used by a young person but would not be of much value to a senior citizen. The same telescope used with a 32mm eyepiece gives a magnification of about 31x and an exit pupil of 6.4mm which should be fine for most dark adapted eyes. In contrast, a 200mm f/10 telescope with the 40mm eyepiece gives a magnification of 50x and an exit pupil of 4mm, which is fine for everyone.

OBSERVING THE SKY

Sky conditions

Sky conditions are usually defined by two atmospheric characteristics, seeing, or the steadiness of the air, and transparency, light scattering due to the amount of water vapour and particulate material in the air. When you observe the Moon and the planets, and they appear as though water is running over them, you probably have bad "seeing" because you are observing through turbulent air. In conditions of good "seeing", the stars appear steady, without twinkling, when you look at them with unassisted eyes (without a telescope). Ideal "transparency" is when the sky is inky black and the air is unpolluted.

Selecting an observing site

Travel to the best site that is reasonably accessible. It should be away from city lights, and upwind from any source of air pollution. Always choose as high an elevation as possible; this will get you above some of the lights and pollution and will ensure that you aren't in any ground fog. Sometimes low fog banks help to block light pollution if you get above them. Try to have a dark, unobstructed view of the horizon, especially the southern horizon if you are in the Northern Hemisphere and vice versa. However, remember that the darkest sky is usually at the "Zenith", directly above your head. It is the shortest path through the atmosphere. Do not try to observe any object when the light path passes near any protrusion on the ground. Even extremely light winds can cause major air turbulence as they flow over the top of a building or wall.

Observing through a window is not recommended because the window glass will distort images considerably. And an open window can be even worse, because warmer indoor air will escape out the window, causing turbulence which also affects images. Astronomy is an outdoor activity.

Choosing the best time to observe

The best conditions will have still air, and obviously, a clear view of the sky. It is not necessary that the sky be cloud-free. Often broken cloud conditions provide excellent seeing. Do not view immediately after sunset. After the sun goes down, the Earth is still cooling, causing air turbulence. As the night goes on, not only will seeing improve, but air pollution and ground lights will often diminish. Some of the best observing time is often in the early morning hours. Objects are best observed as they cross the meridian, which is an imaginary line that runs through the Zenith, due North-South. This is the point at which objects reach their highest points in the sky. Observing at this time reduces bad atmospheric effects. When observing near the horizon, you look through lots of atmosphere, complete with turbulence, dust particles and increased light pollution.

Cooling the telescope

Telescopes require at least 10 to 30 minutes to cool down to outside air temperature. This may take longer if there is a big difference between the temperature of the telescope and the outside air. This minimizes heat wave distortion inside telescope tube (tube currents). Allow a longer cooling time for larger optics. If you are using an equatorial mount, use this time for polar alignment.

Adapting your eyes

Do not expose your eyes to anything except red light for 30 minutes prior to observing. This allows your pupils to expand to their maximum diameter and build up the levels of optical pigments, which are rapidly lost if exposed to bright light. It is important to observe with both eyes open. This avoids fatigue at the eyepiece. If you find this too distracting, cover the non-used eye with your hand or an eye patch. Use averted vision on faint objects: The center of your eye is the least sensitive to low light levels. When viewing a faint object, don't look directly at it. Instead, look slightly to the side, and the object will appear brighter.

PROPER CARE FOR YOUR TELESCOPE

Collimating a Newtonian

Collimation is the process of aligning the mirrors of your telescope so that they work in concert with each other to deliver properly focused light to your eyepiece. By observing out-of-focus star images, you can test whether your telescope's optics are aligned. Place a star in the centre of the field of view and move the focuser so that the image is slightly out of focus. If the seeing conditions are good, you will see a central circle of light (the Airy disc) surrounded by a number of diffraction rings. If the rings are symmetrical about the Airy disc, the telescope's optics are correctly collimated (Fig.r).

If you do not have a collimating tool, we suggest that you make a "collimating cap" out of a plastic 35mm film canister (black with gray lid). Drill or punch a small pinhole in the exact center of the lid and cut off the bottom of the canister. This device will keep your eye centered of the focuser tube. Insert the collimating cap into the focuser in place of a regular eyepiece.

Collimation is a painless process and works like this:

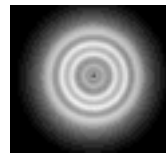
Pull off the lens cap which covers the front of the telescope and look down the optical tube. At the bottom you will see the primary mirror held in place by three clips 120° apart, and at the top the small oval secondary mirror held in a support and tilted 45° toward the focuser outside the tube wall (Fig.s).

The secondary mirror is aligned by adjusting the central bolt behind it, (which moves the mirror up and down the tube), and the three smaller screws surrounding the bolt, (which adjust the angle of the mirror). The primary mirror is adjusted by the three adjusting screws at the back of your scope. The three locking screws beside them serve to hold the mirror in place after collimation. (Fig.t)

Aligning the secondary mirror

Point the telescope at a lit wall and insert the collimating cap into the focuser in place of a regular eyepiece. Look into the focuser through your collimating cap. You may have to twist the focus knob a few turns until the reflected image of the focuser is out of your view. Note: keep your eye against the back of the focus tube if collimating without a collimating cap. Ignore the reflected image of the collimating cap or your eye for now, instead look for the three clips holding the primary mirror in place. If you can't see them (Fig.u), it means that you will have to adjust the three bolts on the top of the secondary mirror holder, with possibly an Allen wrench or Phillip's screwdriver. You will have to alternately or loosen one and then compensate for the slack by tightening the other two. Stop when you see all three mirror clips (Fig.v). Make sure that all three small alignment screws are tightened to secure the secondary mirror in place.

Fig.r



Correctly aligned



Needs collimation

Fig.s

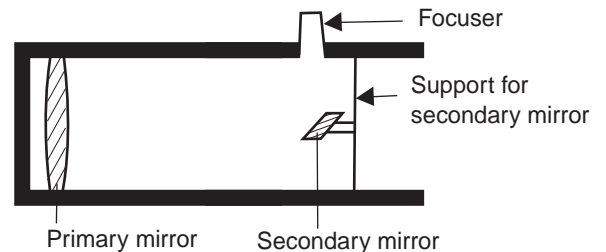


Fig.t

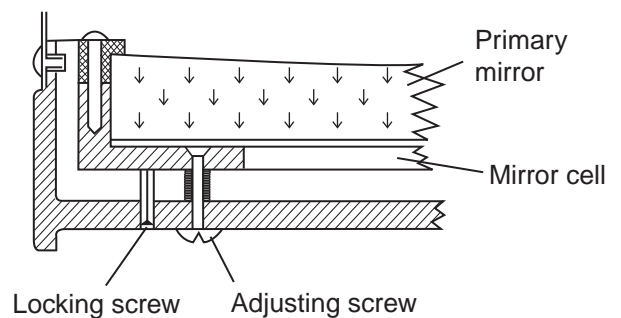


Fig.u

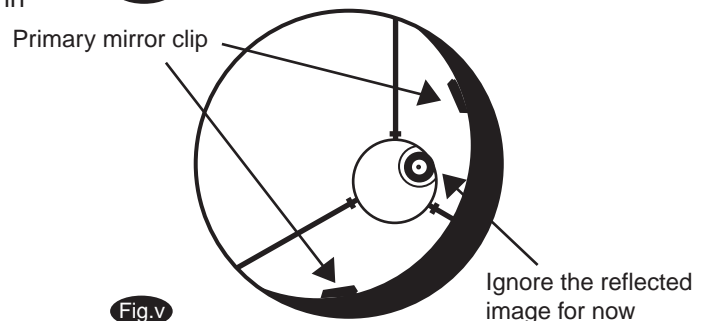
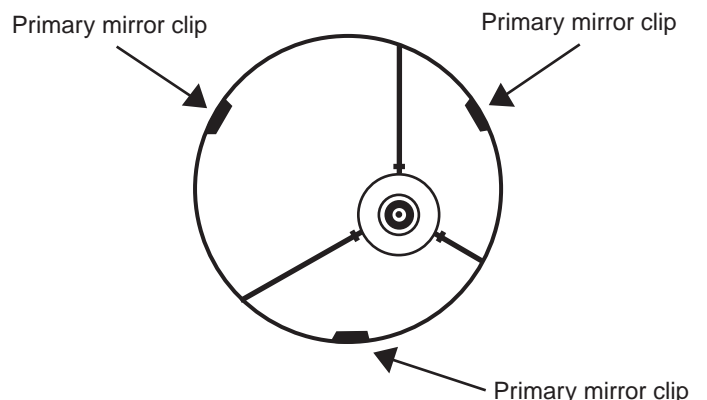


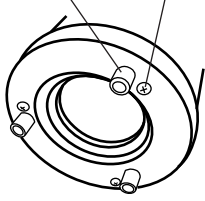
Fig.v



Aligning the primary mirror

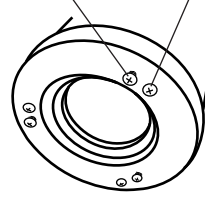
Find the three locking screws at the back of your telescope and loosen them by a few turns.

Adjusting screw Locking screw



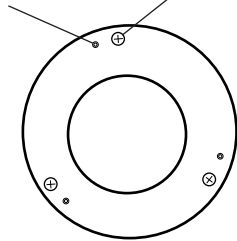
If you see 3 large nuts protruding from the back of your telescope and 3 small Phillip's-head screws besides them, the Phillip's-head screws are the locking screws and the large nuts are the adjusting screws.

Locking screw Adjusting screw



If you see 6 Phillip's-head screws but 3 protruding from the back of your telescope, the 3 protruding screws are locking screws and the ones next to them are adjusting screws.

hex bolt (Locking screw) Adjusting screw



If you see 3 hex bolts and 3 Phillip's head screws, the hex bolts are the locking screws and the Phillip's-head screws are the adjusting screws. You will need an Allen wrench to adjust the locking screws.

Now run your hand around the front of your telescope keeping your eye to the focuser, you will see the reflected image of your hand. The idea here being to see which way the primary mirror is deflected, you do this by stopping at the point where the reflected image of the secondary mirror is closest to the primary mirrors' edge (Fig.w).

When you get to that point, stop and keep your hand there while looking at the back end of your telescope, is there a adjusting screw there? If there is you will want to loosen it (turn the screw to the left) to bring the mirror away from that point. If there isn't a adjusting screw there, then go across to the other side and tighten the adjusting screw on the other side. This will gradually bring the mirror into line until it looks like Fig.x. (It helps to have a friend to help for primary mirror collimation. Have your partner adjust the adjusting screws according to your directions while you look in the focuser.)

After dark go out and point your telescope at Polaris, the North Star. With an eyepiece in the focuser, take the image out of focus. You will see the same image only now, it will be illuminated by starlight. If necessary, repeat the collimating process only keep the star centered while tweaking the mirror.

Fig.w

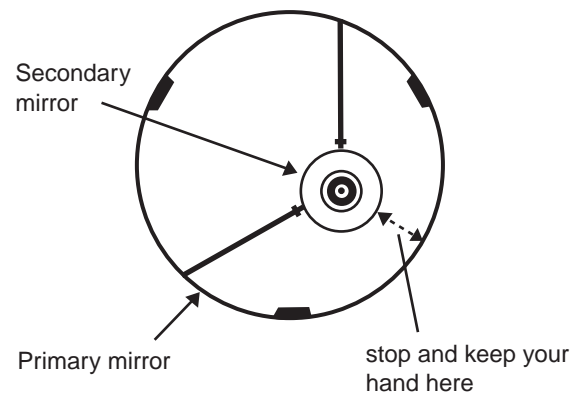
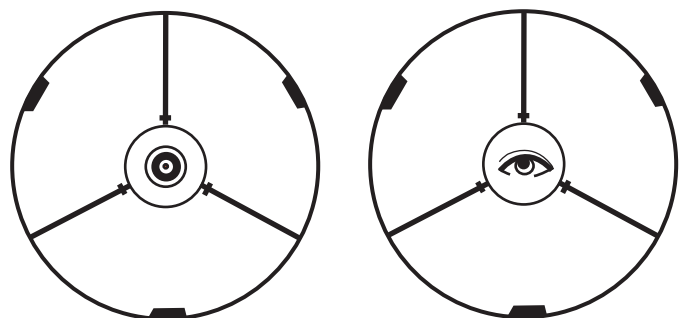


Fig.x



Both mirrors aligned with collimating cap in

Both mirrors aligned with eye looking in focuser

Cleaning your telescope

Replace the dust cap over end of telescope whenever not in use. This prevents dust from settling on mirror or lens surface. Do not clean mirror or lens unless you are familiar with optical surfaces. Clean finderscope and eyepieces with special lens paper only. Eyepieces should be handled with care, avoid touching optical surfaces.

CAUTION!



NEVER USE YOUR TELESCOPE TO LOOK DIRECTLY AT THE SUN. PERMANENT EYE DAMAGE WILL RESULT. USE A PROPER SOLAR FILTER FIRMLY MOUNTED ON THE FRONT OF THE TELESCOPE FOR VIEWING THE SUN. WHEN OBSERVING THE SUN, PLACE A DUST CAP OVER YOUR FINDERSCOPE OR REMOVE IT TO PROTECT YOU FROM ACCIDENTAL EXPOSURE. NEVER USE AN EYEPiece-TYPE SOLAR FILTER AND NEVER USE YOUR TELESCOPE TO PROJECT SUNLIGHT ONTO ANOTHER SURFACE, THE INTERNAL HEAT BUILD-UP WILL DAMAGE THE TELESCOPE OPTICAL ELEMENTS.