



Junior

Binoculars by Focus Sport Optics



- GB - User guide
- DE - Benutzerhandbuch
- ES - Manual de usuario
- SE - Bruksanvisning
- FI - Käyttöohjeet
- DK - Betjeningsvejledning
- LV - Lietošanas instrukcija
- LT - Naudojimo instrukcija
- EE - Kasutusjuhend
- PL - Instrukcja obsługi
- CZ - Uživatelský návod
- SK - Manuál

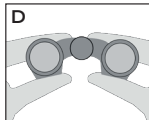
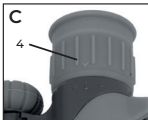
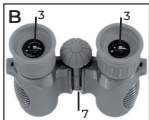
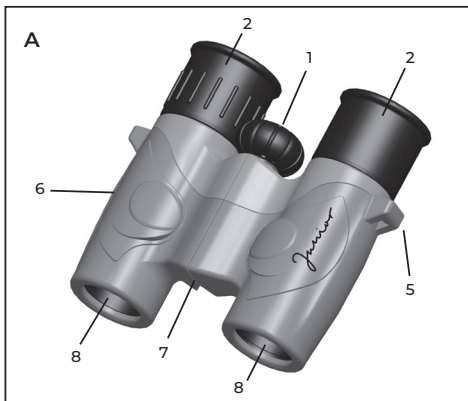
FOCUS
SPORT OPTICS

Designed for the Nordics since 1985



2





GB

Junior
Binoculars by Focus Sport Optics

Congratulations on your new binoculars!



- Never look at the sun, as this will cause damage to your eyes.
- Never leave the binoculars in the sun, as the light beam through the binoculars may cause a fire.
- Never disassemble the binoculars and do not expose it to temperatures above 60°C degrees.
- Clean the optics with a microfibre cloth, for tough dirt use lens cleaning kit.
- Respect your surroundings and do not look into other peoples houses.
- Dispose of the packaging in the appropriate plastic/paper containers.

Your binoculars comprise the following parts,
see page 3

1. Focusing knob (center)
2. Eyepieces
3. Eyepiece lens
4. Optical compensation ring (dioptré ring)
5. Carrying strap/loop ring
6. Binocular support (main tube)
7. Binocular axis, folding
8. Lenses (objective lens)
9. Carrying strap/loop
10. Case (nylon)



GB



Adjusting for best view

We all have different eyes, but just follow these simple steps, when using the binoculars for the first time.



D E Adjust the eye width until you see a circle, observing from at least 100 m away. Adjust the focus with the knob **A1**.



If you wear glasses, fold down the rubber eye cup **A2**.



A C F If your vision is different on your right and left eye, and you do not want to wear glasses, do the following:

- Close your right eye and adjust the focus with the focusing knob **A1**, until you see a sharp image.
- Close your left eye and look at the same object. If necessary, adjust the dioptre adjustment **C4**, until you see a sharp image.

Clear! Now you may just use the **A1** focusing knob when you want to observe at other distances.



Warning! Not suitable for children under 3 years.
Contains small parts. Choking hazard.



“- I've lost nine of my ants,
can you help me find them?”

